

THE MAN TGL AND TGM.

Efficiency in the light and middle class.



THE MANY ASPECTS OF THE MAN TGL AND TGM.

Reliable, yet unique. .

The MAN TGL and TGM series form a powerful double-act combining professionalism with productivity. They come onto the road with all the qualities that have made the name MAN synonymous worldwide with innovative and dependable mobility. No matter which of the two trucks you are driving, you can rest assured that maximum efficiency is on board with you. And we are not alone in this opinion. The TÜV agrees with us. For years, the TÜV has been certifying that the MAN TGL and the TGM achieve the highest standards of reliability and the lowest incidence of defects when compared to the competition.

The MAN TGL and TGM will be available complete with an improved driveline and practical features. The vehicles boast an even more efficient drive, a much more comfortable driver's workplace and an optimised rest area in the long cabs.

www.truck.man

Some of the equipment shown in this brochure is not included as standard.

Both the vehicle's air conditioning system and refrigerator contain fluorinated greenhouse gases (R134a / GWP 1430 with up to 1.15 kg; 1.6445 t CO₂ accordingly).

MADE FOR POWER.





TWO THAT PACK A REAL PUNCH.

The MAN TGL and the TGM are “doers”. Just like you. No matter what you are planning to tackle, the new MAN TGL and TGM models will get to grips with it.

Powerful engines, robust chassis, high load capacity: you can count on all of this with the new MAN TGL. In the building business, in municipality services, in foodstuff deliveries or furniture transport, in trade and commerce. Whether as a solo vehicle or an 8- and 12-ton semitrailer tractor – the MAN TGL has a solution for everything. With their short wheelbases, the 7.49 to 12-tonners are highly manoeuvrable, combining maximum payload with high load capacity and dynamic response. In every sector, for every kind of job, and every day: the MAN TGL is an efficient partner you can rely on in every situation.

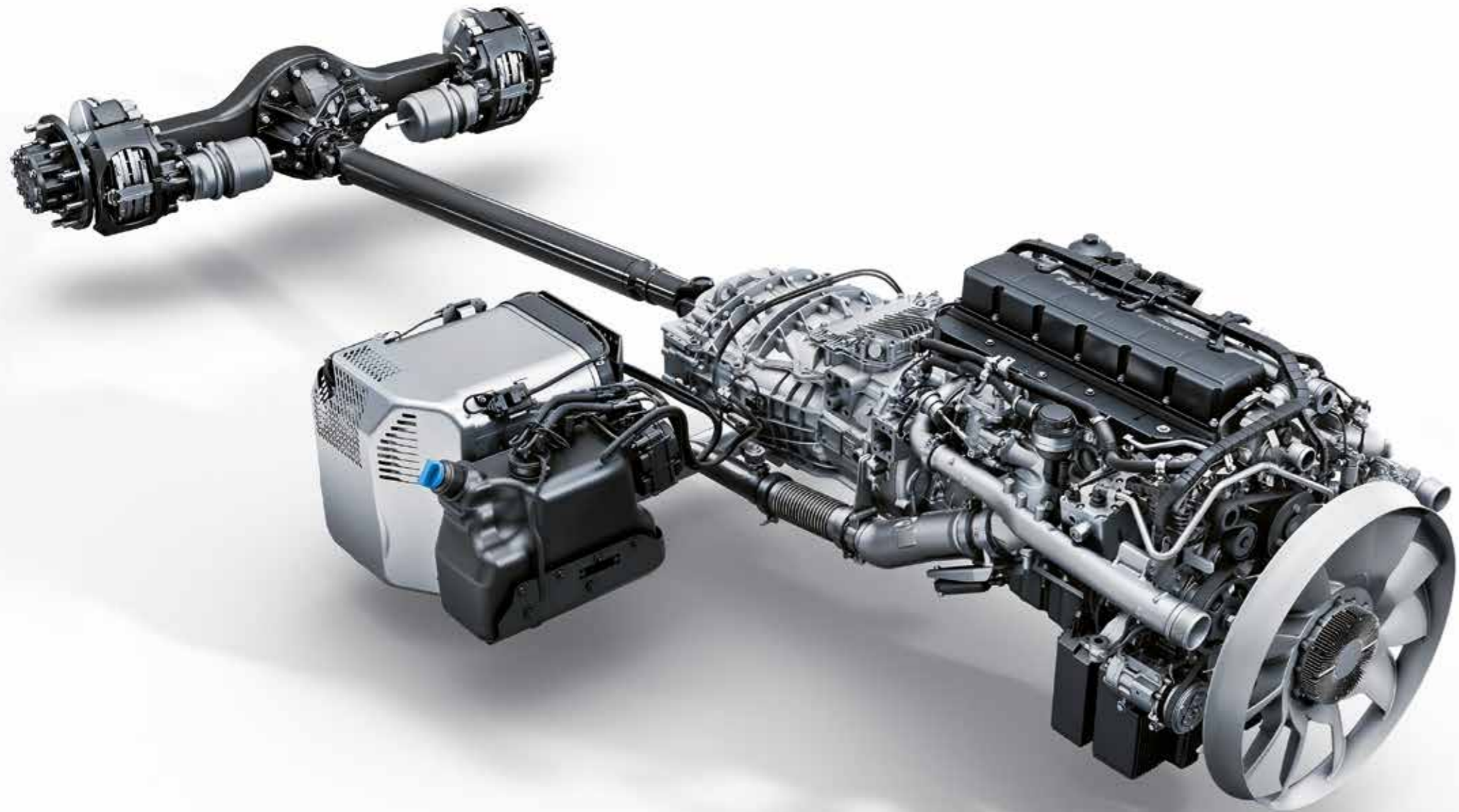
Just as you can with the MAN TGM. It showcases its multifaceted strengths mainly as a solo truck and in light trailer operation. Thanks to its lightweight characteristics and large capacity, the MAN TGM has lots of room for your transport operations. This is also helped by its body-friendly frame design and its efficient and economical common-rail engines. The MAN TGM is effective in more than distribution transport, more than holding its own in medium-duty traction transport operations also. With tonnages of between 13 and 26 tons and a first-class payload, it offers economical transport solutions for the building trade. And with its powerful new Euro 6 engines with ratings of 184 kW (250 hp) to 235kW (320 hp) and its axle configurations of 4x4 to 6x4, it delivers efficient transport performance, both on the road and on the construction site.

Meanwhile, the crew cab for the MAN TGL and TGM will impress you with its spaciousness and functionality – and it will inspire your team on the move.



MADE FOR EFFICIENCY.

MAN 290



PURE EFFICIENCY.

Proven engine technology, mature components and perfectly matched technologies: this is the MAN recipe for efficiency.

The new generation of MAN D08 engines powers the MAN TGL and TGM with even greater force, while the new engine concept also enhances efficiency. Fuel consumption is reduced by up to 5%. The new, simplified exhaust gas cleaning without exhaust gas recirculation also makes the engine lighter and less complex.

You'll notice this power every time you drive off and accelerate, on every hill, and really in every mile you travel. The favourable torque characteristics of the new, modern MAN D08 engines help you to achieve economical driving with a minimum number of shifts, and that holds true whichever engine you choose. With the new MAN TGL, you can choose between powerful 4- and 6-cylinder engines with power ratings of 118 kW (160 hp) to 184 kW (250 hp). The MAN TGM is driven by 6-cylinder engines with power ratings of 184 kW (250 hp) to 235 kW (320 hp). New sensors that warn the driver in good time of low levels of coolant and oil reliably help to prevent engine damage.

In addition, MAN TipMatic® with Idle Speed Driving, Speed Shifting¹⁾ and EfficientRoll¹⁾ functions is now also available for the MAN TGL and TGM. These moving-off and gearshift strategies improve driving comfort and reduce fuel consumption. Another advantage is the use of selective catalytic reduction (SCR), which allows fuels with a sulphur content of up to 2000 ppm to be processed without damaging the new D08 Euro 4 and Euro 5 engines.

Since 2017, the MAN engines D0834 and D0836 have been approved to operate on paraffin fuels as defined in EN15940. Examples of fuels that meet this standard include HVO Hydrogenated Vegetable Oils, CTL Coal to Liquids, GTL Gas to Liquids and BTL Biomass to Liquids.

1) Speed Shifting and EfficientRoll only available with 12-speed version

A close-up, low-angle shot of a metallic latch mechanism, likely from a car door or trunk. The latch is highly reflective and polished, showing sharp highlights and deep shadows. It is set against a dark, matte background. The lighting is dramatic, coming from the side, which emphasizes the three-dimensional form and the intricate details of the metal parts. The overall mood is sleek and industrial.

MADE FOR DESIGN.

GREAT VIEWS.

The MAN TGL and TGM can expect numerous equipment highlights to make the interior even more driver-friendly and optimised for vehicle operation.

The warm sand and graphite tones of the interior panelling, grained plastic surfaces, satin-chrome-plated door handles and the seat covers have already been lending the cab a comfortable yet stylish atmosphere. The optional darker “Urban Concrete” colour will be available for the cockpit. It is a hard-wearing colour scheme for all surfaces that may come into contact with dirty hands or work clothing during vehicle deployments in dirty conditions. The look of the cab interior can also be customised with two optional variants for the all-round trim strips (in brushed aluminium and wood).

The multi-function steering wheel forms the perfect interface between vehicle and driver: various functions are integrated into the steering wheel in a clearly laid out and intuitive manner. Without taking your hands off the wheel, you can call up vehicle information, receive telephone calls and adjust the radio settings. The driver can freely adjust the height and angle of the multi-function steering wheel, which is also available in leather.

A slimmer centre console and a coolbox/storage box, which can be completely stowed under the bed (for L and LX cabs), create a more comfortable sitting and standing experience in the central area. And yet, the coolbox offers more space. The cup holders are more flexible, and the bunk control panel in the longer cabs with beds is more convenient. The lighting in the living space provides a cosier atmosphere thanks to goose neck lights.

The function-based switch layout and the colour display offer the driver a modern, ergonomic work place.





MADE FOR COMFORT.

TOTALLY IN THE COMFORT ZONE.

The four cabs for the MAN TGL and TGM are genuine miracles of spaciousness, consistently designed to facilitate fatigue-free, concentrated driving.

After all, only a driver in the best of shape can produce the best performance at the wheel – and thereby contribute to maximum transport efficiency and reliability. Every MAN cab offers drivers maximum comfort and ergonomics.

The cockpit can also be adapted to suit the individual needs of the driver and is perfectly designed for comfortable and safe operation. The high-resolution, four-colour LCD display in the instrumentation is clearly structured: coloured indicators on the 4-inch display aid readability and orientation, making it easier for the driver to spot notifications, such as activated assistance systems or warnings. A digital speed display supplements the analogue dial. In addition, menus and controls boast colours coordinated with the MAN Media Truck infotainment system. This infotainment system, with its large touch-screen, colour display and optional navigation data, boasts features including a Bluetooth interface and USB/auxiliary input. In terms of ergonomic comfort, there is a wide selection available, from the air suspension and air-conditioning of the driver's seat. Practical details such as the wipe-clean door interior cladding to the compressed-air connection to simplify cleaning operations ensure that the cab can be kept clean – enhancing driver satisfaction in the process.

The new, electric glass elevating roof (not available for C cab) makes the cab even cosier by allowing daylight to stream in. The glass elevating roof makes the interior feel really light and airy and enables an optimal exchange of air without the driver feeling a draught. The roof is controlled electrically, thereby increasing the driver's level of comfort.

No matter which cab you choose, it is certainly going to be a good choice because all of these cabs as you would expect, comply with the most stringent crash safety requirements and offer optimum occupant safety. Especially for construction site vehicles, a virtually identical steel fender is available for all cabs.





ROOM TO RELAX.

MAN's strength does not just lie in the power of the engine, but also in the peace in the cab. True to this motto, the long cabs for the new MAN TGL and TGM feature a comfortable sleeping and rest zone for revitalising relaxation.

The level of sleeping comfort offered by the high-quality bunks with slatted supporting frame and multi-zone cold foam mattress (optional) is a dream come true. The elastic fabric covers of the replaceable mattresses can be washed and are made of breathable, hygienic materials. Even the undersides of the beds are now covered with fabric as standard. The gooseneck lights and an easy-to-reach control unit for the bunks make for a pleasant atmosphere and greater comfort and allow the switches for the interior lighting, window lifters and sliding roof to be controlled. An alarm clock with an LCD display, 12V or 24V sockets and a USB power socket with a 5V connection on the top, e.g. for a mobile phone or tablet, round off the handy features. The control unit is on the right side of the vehicle. It can be placed either side of the top bunk, meaning you can lie down in any position you wish.

There is plenty of room in the many generously proportioned stowage boxes for personal effects. Large cupboards above the windscreen in the LX cab and a three-section roof stowage unit in the L cab provide ample space for luggage and other equipment. In the L and LX cabs the illuminated luggage compartment, accessible from outside and inside, provides an abundance of space for personal gear. A further stowage box only accessible from outside can be used for working clothing or diverse pieces of equipment.

The new coolbox/stowage box with integrated bin can be stowed fully under the bunk (not available for the C cab). A convenient tray can be placed on the box or stored separately, providing a lot of extra space and some comfortable legroom when sitting on the bunk. Nevertheless, the new layout still offers more cooling space and additional storage compartments. The feature that allows cups or ashtrays to be placed on the top has also been optimised: up to two retaining devices can be fixed in the middle, within easy reach of the driver and co-driver.



Stowable coolbox/stowage box



Coolbox/stowage box pulled out



ALL AT A GLANCE!

It is the driver who turns efficiency into motion. His performance at the wheel is the key to reliable transport and to a safe, cost-effective driving style. So it's vital that the workplace is well equipped for this.

In the MAN cockpit, everything is in the right place. The displays are clear, while frequently used switches and switches requiring quick access are close to the driver. To ensure intuitive operation, interrelated functions are grouped into switch groups, which are always in the same position in all vehicles and series. Having this standardised layout simplifies operation for drivers when switching vehicles. The dial switch for the MAN TipMatic® automated gearbox is now in the driver's field of view. The main panel of controls now houses all switches vital to operation and driving, while relevant functions for add-ons can be assigned to a second, optional panel of switches at a later date. Placing the panel of buttons for essential functions, such as interior lighting, above the driver provides easy access even while driving.

The instrumentation takes centre stage, with its new LCD display in four colours. This four-inch, high-resolution colour display supports legibility and orientation, and highlights features such as activated assistance systems and warning messages to enable quicker recognition. A digital speed display complements the analogue display. In addition, menus and controls boast colours coordinated with the MAN Media Truck infotainment system. The air-conditioning panel features displays with a white background, making them considerably easier to read thanks to the better contrast.



Enhanced colour display in the instrumentation



Neat switch layout



Rearranging the TipMatic switch and parking brake creates additional space



GREAT ENTERTAINMENT.

MAN offers some practical features with its MAN Media Truck infotainment system.

The standard MAN Media Truck variant includes a 5" TFT display with touchscreen and SD card slot. On request, it's also available with a hands-free system, Bluetooth audio streaming, USB/AUX inputs, and DAB+ digital radio. In addition, the MAN Media Truck Advanced version offers a larger 7" display, voice control, a hands-free system for a telephone, video display via USB & SD, traffic information via radio, and a maximum of two camera interfaces. MAN Media Truck Navigation includes a specialist truck navigation system. Also, the versions MAN Media Truck Advanced and Navigation offer the function of "Twin Pairing", which enables two mobile phones to be connected to the system in parallel. Both variants can also be provided with a hook-up for a rear-view camera.

The "Mirror Link" function transfers the user interface of mobile devices to the infotainment system, enabling safe operation via the multi-function steering wheel and the system itself (connection via USB cable). The navigation screen also continuously shows maximum speed limitations (dependent on the map data including the respective information). The digital radio (DAB/DAB+) is easy to access and use via voice control.



MAN Media Truck Navigation



Function "Mirror Link"



A WHOLE RANGE OF INNOVATIONS.

The MAN crew cab of the MAN TGM series is in a class of its own when it comes to space.

Where teamwork is required, the MAN crew cab comes into its own. Equipped with a comfortable row of 4 seats in the rear with 3-point seat belts plus the optional second co-driver's seat, it can hold up to seven people – while also providing great standards of comfort and functionality.

Just boarding this vehicle feels like a step up. The wide, non-slip and optionally illuminated steps are designed with safety in mind. The interior satisfies just about every wish. The crew cab has more than just internal value: the elegant front has the look of the MAN TG vehicles. Aerodynamic improvements minimise fuel consumption and increase cost-effectiveness.



Double co-driver's seat as optional extra

YOU CAN BE SAFELY REASSURED ABOUT ONE THING: EVERY DRIVE WITH MAN.

With MAN, there is the right cab for every requirement – and a maximum level of comfort and ergonomics travels with you wherever you go.

This is because our cabs are designed to facilitate fatigue-free, concentrated driving, relaxing recovery and maximum occupant safety. All cabs provide optimum safety. The mirror concept contributes to this, with main and wide-angle mirrors, a large ramp mirror and front mirrors. The problem of the blind spot has been more or less eliminated. The heated windscreen on vehicles involved in snow-clearing duties provides optimum visibility, especially designed for those cold winter months.

C cab

With its compact dimensions, the C design is the first choice for daily delivery work. Particularly convenient: the extremely low entry height, the wide opening doors and the ease of cross-cab access. Dual co-driver seats are optionally available. Also available is a 265-mm extension of the C cab by MAN Modification – a real space winner.

Crew cab

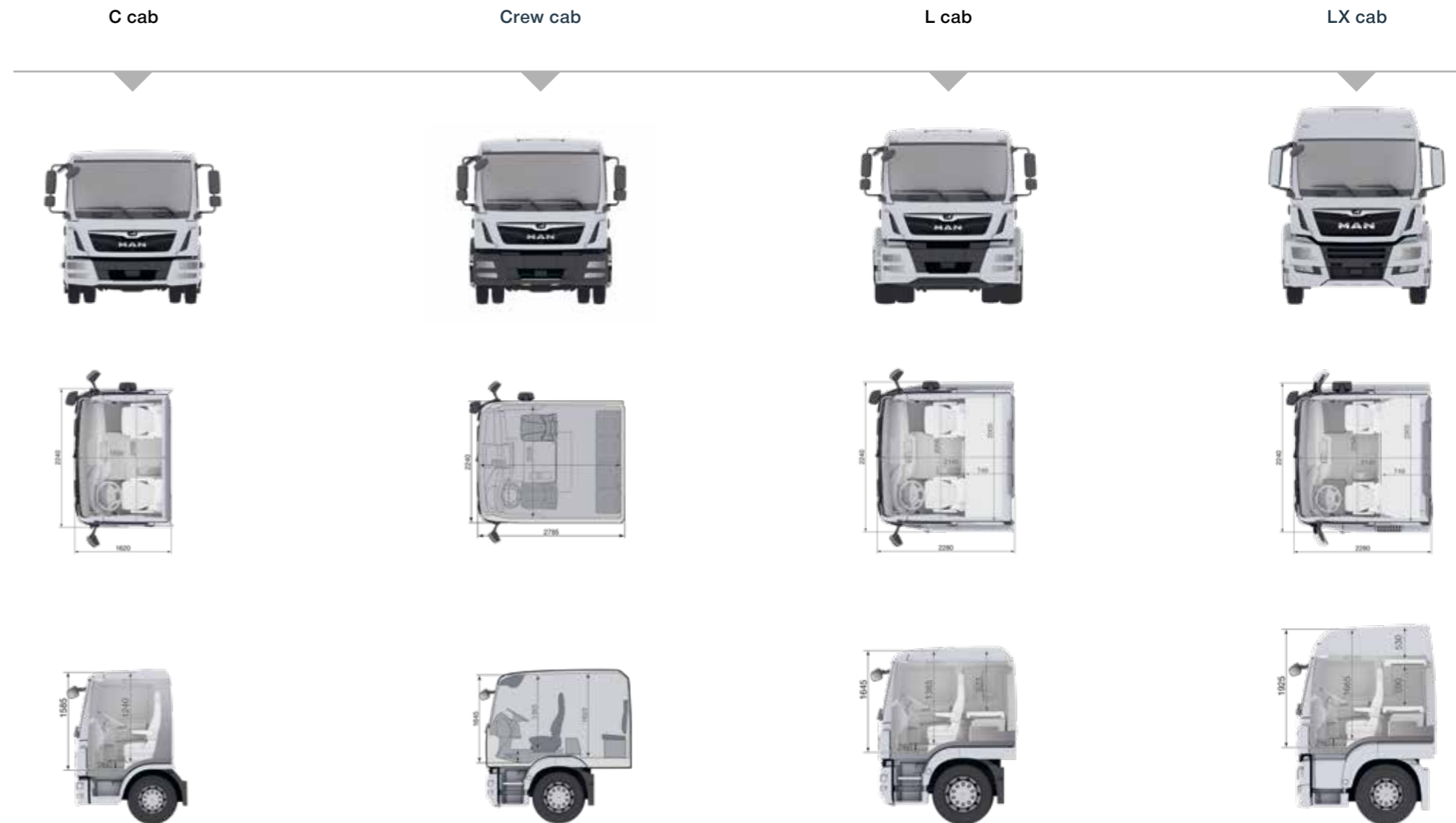
The four-door crew cab translates into first-class travel for the second row as well. With the four-person rear bench seat, the cab can easily accommodate seven people (driver + 6). Three-point belts are standard for all seats. Versatile, large stowage areas ensure that there is space for everyone.

L cab

Flexible and versatile: our L cab is the ideal choice for all tanker and silo vehicles, as well as for timber, building material and refrigerated transport. The low overall height of the vehicle and the low weight enable the L driver's cab to manage greater payloads. The comfortable bed, the diverse array of stowage options and – if so desired – the multi-function stowage facility all enhance the detailing of this cab.

LX cab

A workplace with the comfort of a living room: the LX driver's cab is equipped with a comfortable bed, an upper bunk or a multi-function stowage facility (both optional), making it an oasis of comfort on the road. With the generously proportioned stowage spaces, the standing room height in front of the co-driver's seat and the low vehicle weight – the key to optimum payload – the LX cab leaves nothing to be desired.



Cross-cab access 140 mm for MAN TGL with four-cylinder engine

MADE FOR WORK.





WITH THE MAN TGL AND TGM, EVEN BEING STATIONARY IS INNOVATIVE.

With innovative brake technologies, MAN trucks make daily operations as safe as they are feasible.

The electronic braking system (EBS) assures superlative braking characteristics in all situations. The ABS with off-road logic can also enhance braking on unsurfaced and slippery ground conditions. The anti-slip control (ASC) and the electronic stability program (ESP) are standard equipment items that improve road safety. As even a brief moment of distraction can lead to an accident, MAN has also developed the anticipatory Emergency Brake Assist (EBA). It gives drivers an advance warning of impending collisions, providing them with valuable time to react. The system automatically initiates braking in an emergency.

MAN ASSISTANCE EQUIPMENT.

Electronic stability program (ESP)

ESP protects you from unpleasant surprises. ESP sensors constantly monitor the driving dynamics. If there is a risk of imminent skidding or tipping over, the individual wheels are braked accordingly and, where necessary, the engine torque is reduced. In this way ESP stabilises the vehicle and keeps it safely in the lane. MAN offers the electronic stability program for vehicles with leading or trailing axles and even for 4-axle vehicles or multiple tractors.

MAN BrakeMatic® brake system with ABS and ASR

The electronic MAN BrakeMatic® brake management system coordinates the functions of the EBS service brake and the engine brake or MAN EVB rocker arm brake (depending on the equipment) with one another.

The following functions are available:

- Priority activation of continuous brake before the service brake.
- During the free travel of the brake pedal, either the engine brake or the MAN EVB rocker arm brake (depending on the equipment) is initiated before the service brake.
- The service brake is not yet active in this range.

Emergency Brake Assist (EBA)

As even a brief moment of distraction can lead to an accident, MAN has developed the anticipatory Emergency Brake Assist (EBA). It gives drivers an advance warning of impending collisions, providing them with valuable time to react. The system automatically initiates braking in an emergency. The optimised Emergency Brake Assist (EBA) features a more advanced traffic monitoring system by using two independent sensor systems (radar and video) to detect a potential collision more quickly and to issue a warning signal as early as possible.



ESP compensatory braking when vehicle is oversteered



ESP compensatory braking when vehicle is understeered

Brake assistant

The brake assistant registers speed and pressure when the brake pedal is operated and optimises the applied brake pressure through to full brake force. It recognises an emergency stop when it is initiated and immediately applies the largest possible brake pressure.

MAN EasyStart

With MAN EasyStart on the MAN TipMatic®, difficulties with hill starts have become a thing of the past. The moving-off aid for slopes makes things easy for the driver. When the brake pedal is released, the brake pressure is maintained for one second so that the driver can change to the accelerator and the vehicle can move off without jolting, with low wear and without rolling back.

Lane Guard System (LGS) including Lane Return Assist (LRA)*

The electronic Lane Guard system permanently monitors the lane ahead of the vehicle. If drivers stray from the lane without activating a flasher, they are warned by an acoustic signal. Depending on the direction in which the driver has strayed, the loudspeaker on the left- or right-hand side emits rumble-strip noise, which the driver intuitively understands correctly. LGS increases the driver's awareness of staying in the lane, thus preventing many a dangerous situation.

The Lane Guard System (LGS) with Lane Return Assist (LRA) helps drivers stay in their lane and actively prevents the vehicle straying from the lane. If the system detects that the vehicle is drifting out of the lane, it independently steers the vehicle back to driving straight ahead. The vehicle is not kept continuously in the lane; drivers must keep their hands on the steering wheel (hands-on detection) and are responsible for guiding the vehicle at all times. Drivers can override the corrective steering torque at any time. The function also works in the dark and increases transport safety and reliability.

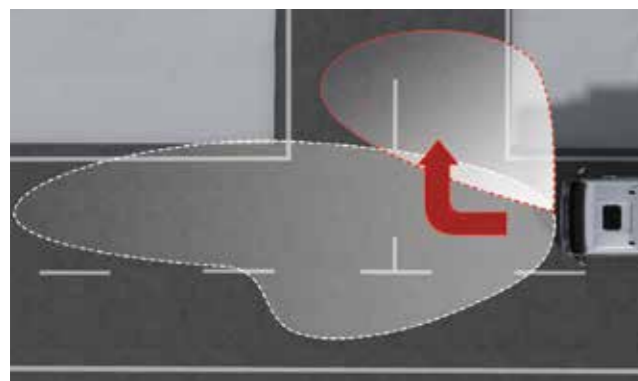
*Available from mid-2019, depending on the vehicle type and engine



Functional principle EBA: advanced traffic monitoring by using two independent sensor systems (radar and video)



Lane Guard System (LGS) including Lane Return Assist (LRA)



Cornering light for a better visibility

Emergency Stopping Signal (ESS)

Instead of the brake lights simply coming on, the Emergency Stopping Signal (ESS) warns the traffic behind of emergency braking via the hazard lights. These flash faster to alert the traffic behind to the emergency. Once the vehicle is stationary, the hazard lights are automatically activated to prevent rear-end collisions. The ESS therefore helps to enhance road safety.

MAN ComfortSteering*

MAN ComfortSteering helps the driver to steer and forms the basis of other assistance systems such as Lane Return Assist (LRA). Because the steering forces are adapted to the road speed, the strain is taken off the driver and there is ease of movement when manoeuvring and ability to stay in a lane at high speed. Irrespective of the axle configuration, a small steering wheel is fitted (Ø 460 mm) and a more direct steering gear ratio is adopted.

Xenon light for better vision

The combination of Xenon light and free-form reflectors casts a whole new light on the road. The luminance of the long-lasting Xenon lamps results in a wide stretch of road being illuminated. Illumination in this area is bright and homogeneous without dazzling oncoming traffic.

Turning camera

Early recognition of critical situations on the difficult-to-view right side of the vehicle is essential when turning or manoeuvring. A camera on MAN trucks extends the visible area to the blind spot. The monitor is in the field of vision when looking to the right in the mirror and helps the driver to better view the area next to the vehicle. It recognises whether, for example, cyclists or smaller vehicles are located directly next to the driver's cab and, when manoeuvring, obstacles stand out better. The system is activated automatically whenever the right-hand indicator is switched on. This equipment can be ordered ex works.

Automatic low-beam headlights and automatic wiper system with sensors

The automatic low-beam headlights with light sensors activate and deactivate the front, side and rear lights as needed. Dawn and dusk, tunnels and bridges are also detected and the lighting is regulated accordingly.

The automatic wipers with rain sensor are activated as soon as visibility is affected by water or dirt. The optimum wiper speed is then set automatically depending on the situation. The control system can detect all kinds of visibility conditions such as rain, splashes, streaks or dirt.

Cornering light

The cornering light supplements the normal low-beam headlights at speeds of up to 40 km/h. It is activated when the driver operates the indicator or – on vehicles fitted with ESP – when the steering wheel is turned far enough. This improves visibility in the dark and in foggy conditions as well as providing additional lighting on the side of the vehicle to prevent injuring persons or causing damage when cornering.

New LED rear lights

With tail lights in an LED design, burnt-out lightbulbs and the associated compromised safety and maintenance costs can be avoided. LED lights have a longer service life with lower energy consumption than conventional lightbulbs.



LED rear lights

*Available from mid-2019, depending on the vehicle type and engine



**MADE FOR
PERFORMANCE.**

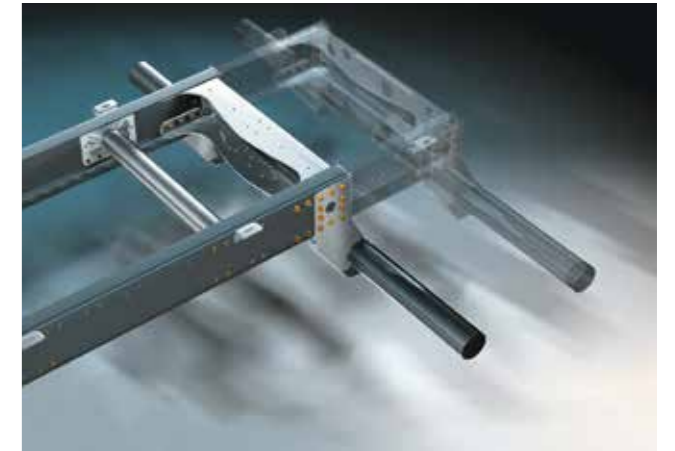


ALWAYS UP TO THE TASK.

MAN offers a fantastic range of easy body options: the MAN frame design enables cost-efficient body solutions and full use of the loading length.

The frame concept with its flat top surface means that bodies and equipment can be easily and quickly mounted at low cost – all without drill holes that can adversely affect corrosion protection. Further aspects that ensure optimum body compatibility include the free spaces on the frame and the KSM interface that can be used for external data exchange. Certain frame treatments are available ex works for a wide range of bodies.

No matter which body you choose, the handling of MAN trucks is excellent. This is achieved in part by the low-noise and low-friction hypoid axles and the sophisticated chassis. In addition to the tried-and-tested parabolic suspension, the air suspension with ECAS electronic control plays a significant role in ensuring a high degree of driving comfort and stability. The platform height can easily be varied at a convenient manual control unit to suit loading ramps of different heights, for example.



Frame with variable rear end



TRACTION COUNTS.

To the power of four: the MAN TGM 4x4.

The MAN TGM 4x4 can make up a lot of ground when the going is tough and optimum traction is called for – on building sites, for municipal road tending and snow-clearing or for off-road applications. Driver-engaged all-wheel drive is standard or, as an optional extra, a permanent all-wheel drive with a pneumatically engaged inter-axle differential lock is available.

A prime achievement of MAN all-wheel drive technology is the optional electronic transfer case and differential management. This assists the driver in operating the vehicle on-road and off-road as the conditions for traction require. This also relieves the load on the driveline. This enables the MAN TGM to provide you with much greater mobility and safety off the beaten track and under arduous road surface and traction conditions.

The additional equipment on all-wheel drive vehicles include external planetary axles with greater ground clearance, disc brakes on the 13-tonners, and drum brakes on the 18-tonners and stabilisers. A hill-climbing brake for moving off more easily on gradients is available for the MAN TGM 4x4. It acts pneumatically on all four wheels, holding a truck reliably when halting and moving off on gradients, and it is controlled by the driver by a switch.

The 4x4 chassis are available as 13-tonners with all-leaf suspension as well as leaf/air suspension – a combination unique in this class – and as 18-tonners with all-leaf suspension; single or twin tyres are options for both.

OPTIMISING USE DOWN TO A TEE.

Whether in urban distribution transport or interurban deliveries, efficiency and productivity are the key to success in domestic and global competitive markets. For over a century we have been manufacturers of trucks and buses as well as technological leaders in the transport business.

Digitalisation also offers this sector great new opportunities. With MAN DigitalServices we simplify your fleet business, making it more efficient and more reliable so that you have more time to concentrate on your core business.

To this end, we work closely with our partner RIO, the open, manufacturer-independent and cloud-based digital platform from TB Digital Services GmbH, a company of the TRATON GROUP. This makes it especially easy to start using digital services for fleet management. The prerequisite for using digital services is that vehicles are equipped with the RIO Box. This is simple to retrofit in trucks from all manufacturers.

MAN DigitalServices assists you in optimising your vehicle analysis and performance, maintenance management and driver performance. After registration for using the services and registration of the vehicle, the basic service MAN Essentials is automatically activated free of charge. This service already includes reliable information on trip history as well as vehicle-specific deployment analysis. For efficient and reliable maintenance management you can simply book MAN ServiceCare as well – straightforward and free of charge.

Via the Marketplace, which is the RIO platform online portal, you can access numerous tailor-made, vehicle-specific digital services from MAN exclusively for MAN vehicles. For information, go to: www.digital.man

Fleet management	Maintenance management	Driver deployment	Driver assistance
<ul style="list-style-type: none"> ■ MAN Essentials ■ MAN Advance ■ MAN Bridge 	<ul style="list-style-type: none"> ■ MAN Maintenance ■ MAN ServiceCare 	<ul style="list-style-type: none"> ■ MAN Perform ■ MAN Compliant ■ MAN Connected CoDriver 	<ul style="list-style-type: none"> ■ MAN Driver App

The MAN Driver app:

Make your everyday work as a driver easy and networked with a wide variety of functions such as scanning the switches and check lamps in the truck and getting an explanation of their functions sent directly to your smartphone. You can also document digital damage reports and send them to the fleet manager. Using MAN ServiceCare you can send damage reports to your MAN service outlet, if required.

Find out more: www.digital.man/driverapp





YOUR TRUCK IN THE BEST HANDS.

Maximum quality over the maximum possible vehicle service life and excellent availability – this is our promise to you.

With a wide-ranging portfolio of services, we offer 360° support that is both efficient and reliable. You can rest assured at all times: your MAN truck is in the best hands with us. MAN services offer everything your coach needs, meaning that your MAN trucks are always operated in the best possible conditions and that you can get the most out of your vehicles for even longer. With MAN ServiceContracts or MAN Mobile24, your mobility is our concern. That is true of our additional services too. MAN services, for instance, have tailored solutions on hand to optimise operating your vehicles, increase profitability and enhance efficiency. Whatever service you choose, you're always on the right road with MAN.

The quickest way to find out more: www.truck.man

All information on our products, services and other service topics such as MAN ServiceContracts, MAN Card, MAN ProfiDrive®, MAN Financial Services and MAN Mobile24, etc. can be found on our website www.truck.man – discover the MAN brand interactive and up close.

* The services offered as part of the joint business relationship “MAN Financial Services” (financing, leasing and insurance products) vary from market to market depending on the country. They are provided or brokered by various subsidiaries of Volkswagen Financial Services AG.

MAN ProfiDrive®.

The MAN ProfiDrive® driver training programmes and corporate coaching modules bring you up to speed, making day-to-day driving safe. The support and training programmes on offer give you additional opportunities to optimise your commercial environment.

MAN | Financial Services

MAN Financial Services*

help you to stay financially mobile. Moreover, our truck rental service makes it possible to be more flexible in responding to shortages or increased demand.

- **MAN Card**
Europe-wide non-cash payments
- **Financing**
Acquisition of property through flexible financing solutions
- **Insurance**
Insurance solutions for commercial vehicles
- **Leasing**
Budget-friendly leasing models
- **Rental**
Vehicle rental with a flexible contract term

MAN | Service

Higher quality, more time: new – two-year warranty on MAN service and parts.

- **MAN Genuine Parts:** top quality, long service life and availability ensured
- **MAN Genuine Parts ecoline:** save a lot and protect the environment in the process with reconditioned MAN Genuine Parts from MAN, the manufacturer or external service providers
- **MAN Genuine Accessories**
- **MAN Genuine coolant & lubricant:** MAN Genuine coolants and lubricants provide proven protection against wear and thus contribute to a longer service life and to a reduction in the total cost of ownership (TCO)
- **MAN Mobile24:** Europe-wide breakdown service for trucks
- **MAN ServiceContracts:** service agreements covering service and inspection tasks on the maintenance schedule. Depending on the add-on option, different modules such as contract management, driveline guarantee and wear-and-tear repairs can be included.
- **MAN guarantee extensions:** guarantee extension for driveline and complete vehicle



MAN | TopUsed

- **Top used vehicles:** large selection of high-quality used vehicles of all truck types
- **As a reliable partner we represent** top quality, top advisory service, top selection, top financing, top service
- **MAN TopUsed extended warranty:** Driveline guarantee with 0% customer contribution, MAN driveline guarantee PLUS, complete vehicle warranty with 20% customer contribution
- **MAN TopUsed Seal of Quality:** Whether one, two or three stars: thanks to our Seal of Quality, you can identify the most important features of our MAN TopUsed vehicles at a glance.
- **MAN TopUsed – used trucks, buses/coaches, vans and trailers:** To find the used vehicles of all brands and types that we have on offer, go to www.mantopused.com

MAN | Rental

MAN Rental offers you utmost flexibility, mobility and peace of mind – even if your order situation changes. MAN Rental is the profitable and practical choice:

- High-quality MAN vehicles and next-generation trailers
- A comprehensive MAN product and service portfolio
- Rental periods starting from 24 hours as well as fixed monthly rental instalments
- Flexible, demand-based rental and equipment options
- Options to boost flexibility and mobility
- Appropriate insurance cover
- A tailored all-round carefree package

MAN Truck & Bus AG

Dachauer Straße 667

80995 München

www.truck.man

D111.3612/E · pe 03192 · Printed in Germany
Texts and illustrations are non-binding. We reserve the right to make modifications for reasons of technical progress. All specifications in this publication represent the status at the time of going to press.

MAN Truck & Bus – a member of the MAN Group